

Chest Harness Interface Bracket Assembly

for **Matrix PB (CHIPB)** and
Matrix Elite (CHIEB) Backs

INSTALLATION & SET-UP MANUAL

i **DEALER:** This manual contains important Safety, Installation and Set-up information specific to the Matrix Chest Harness Interface Bracket Assembly. This Manual MUST be given to the user of the product.

BEFORE using this product, please read through the instructions carefully and save for future reference.

Safety Symbols:

Installing your Matrix Seating Series product safely depends upon your diligence in following the warnings, cautions and information provided in this Installation Manual.

The symbols below are used throughout all Motion Concepts' manuals to identify warnings, cautions and important notes. It is very important for you to read and understand them completely.



WARNING!

This symbol warns you of danger!

- Always follow these instructions to avoid injury to the user or damage to the product!



IMPORTANT!

- Important information to remember when operating your Motion Concepts power positioning system



NOTE:

- This symbol identifies general information which is intended to simplify working with your product and/or which refers to special functions or important instructions.



Requirements:

- This symbol identifies a list of various tools, components and items which you will need in order to carry out certain work.



READ WELL BEFORE OPERATION!

- This symbol advises you to read information carefully.

Chest Harness Interface Brackets for the Matrix PB & Matrix Elite

SAFETY WARNINGS:



WARNING!

The Matrix-PB and Matrix Elite Chest (Support) Harness Interface Brackets were intended for use with OEM support harnesses such as the Invacare Pro-tech series or the Body Point harness series.

- Always ensure all harness fittings and hardware is compatible with the support harness mounting brackets provided.
- DO NOT modify the support harness mounting brackets; Unauthorized modifications to the mounting brackets may result in personal injury and will compromise the limited warranty.



WARNING!

Support Harnesses and Positioning Belts are **not** designed to provide proper restraint during motor vehicle transport and should never be utilized as a Safety Restraint.

- DO NOT sit in your wheelchair while it is in a moving vehicle. When travelling in a motor vehicle you must be properly secured in a motor vehicle seat with approved safety belts securely fastened.



WARNING!

The Matrix-PB and Matrix Elite Chest Harness Mounting Bracket Assemblies have **NOT** been crash tested and are **NOT** approved for use as part of a vehicle safety restraint during transport.

- When travelling in a motor vehicle, the user must be properly secured in a motor vehicle seat with approved safety belts securely fastened.



WARNING!

Please check your support harness weekly to ensure that it is still in good working condition; to ensure it has no damage or wear, and to ensure it is fixed properly to the wheelchair.

- If the support harness is fastened using a bolted connection, ensure that the connection has not loosened or come undone.
- Please be certain to read the service manual provided by the support harness manufacturer for more information about safety and maintenance of your support harness.



IMPORTANT!

Please be certain to read the **Support Harness User Manual** (*provided separately*) for important safety information and instructions regarding the proper set-up, installation and use of your support harness.

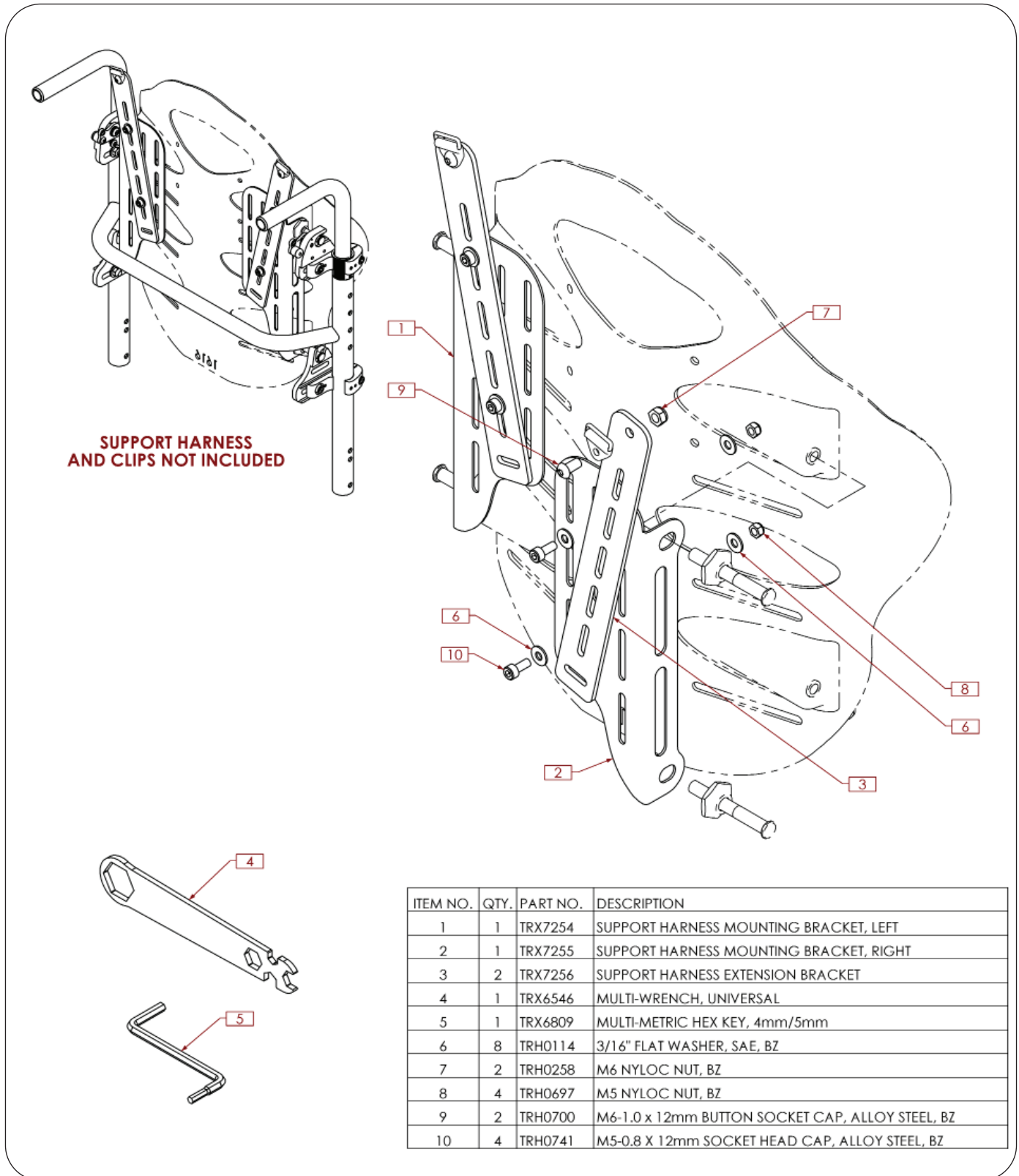
If you have any questions or concerns during the installation of the Chest Harness Interface Bracket Assembly please contact our Technical Service Department for assistance:

Canada: 800-680-4191


USA: 888-433-6818

1.0 CHEST HARNESS INTERFACE for the Matrix Elite Back (CHIEB)

1.1 CHIEB Installation Overview:



1.0 CHEST HARNESS INTERFACE for the Matrix Elite Back (CHIEB)

 Please read through the following installation instructions **before** proceeding with the Chest Harness Interface Bracket installation

1.2 Chest Harness Interface Bracket Installation Instructions (CHIEB):

1. If applicable, remove the existing mounting pins (x4) and flange nuts (x4) from the Matrix Elite Back Shell (retain hardware).

NOTE: For ease of installation, we recommend installing the extension bracket onto the mounting plate prior to securing the entire assembly onto the back shell.

2. Use the various mounting slots to achieve the desired angle & height of the extension bracket, and loosely install the extension bracket onto the mounting plate using the hardware provided* (1). (Refer to **Figure 1** for some of the sample installation/adjustment options available for the extension bracket).

***note:** to help pre-determine the mounting position of the extension bracket, align the mounting plate with the back shell and position the extension bracket on the plate to determine which slots/mounting hardware locations will produce the desired position.

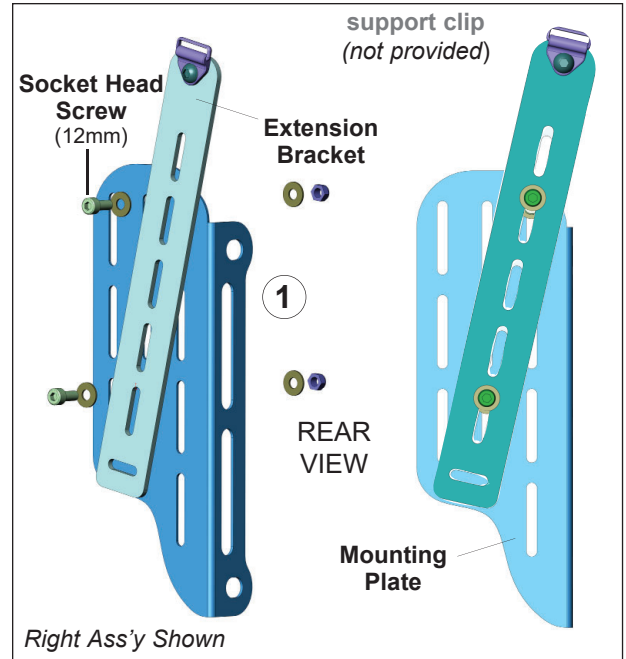
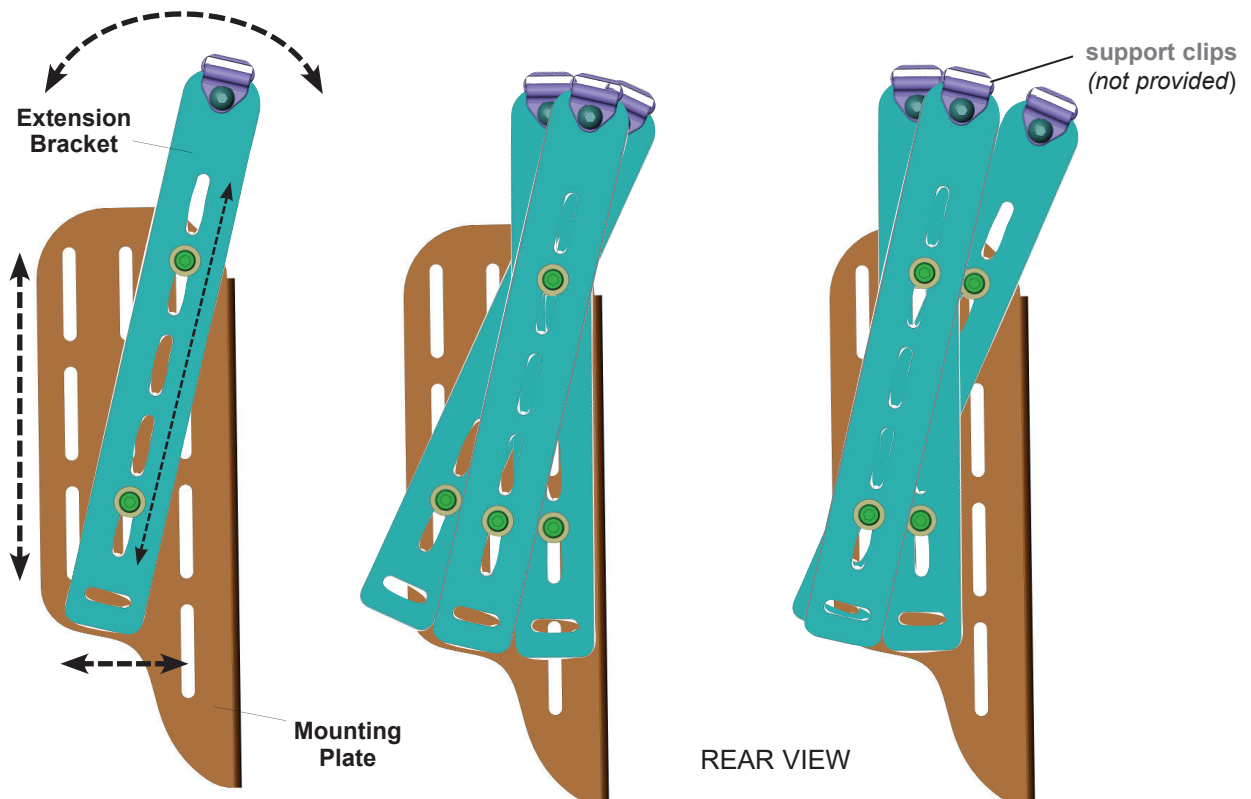


Figure 1. EXTENSION BRACKET ADJUSTMENT (Height, Width & Angle Adjustment)

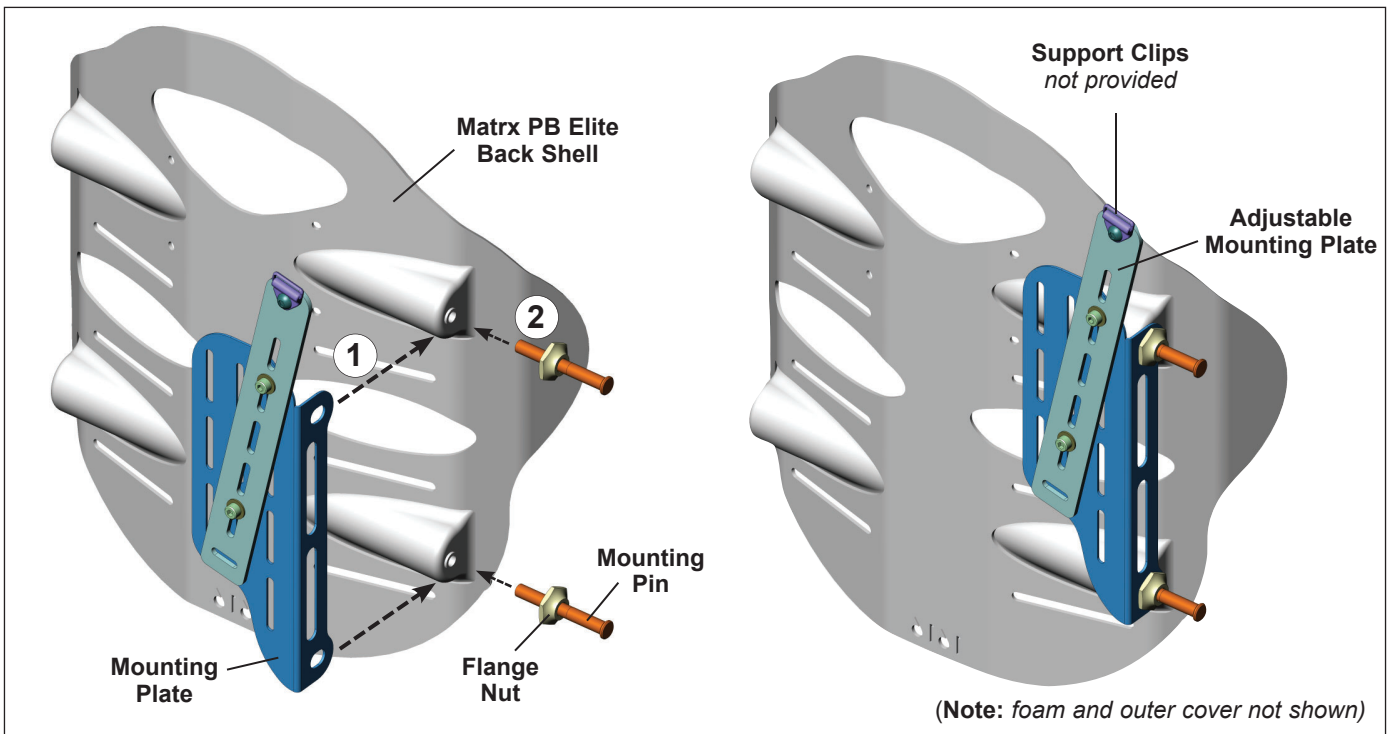


Right Extension Bracket Assembly Shown

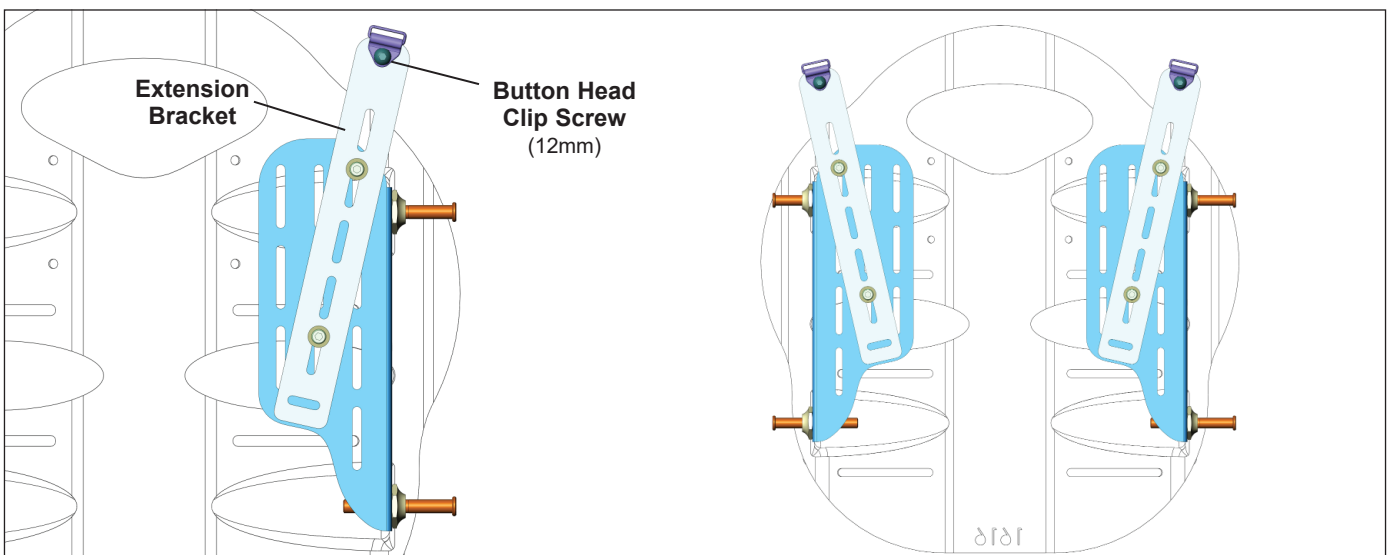
1.0 CHEST HARNESS INTERFACE for the **Matrx Elite Back (CHIEB)**

1.2 Chest Harness Interface Bracket Installation Instructions (CHIEB)... (cont'd):

3. Working on one side of the back shell, align the mounting holes in the mounting bracket with the pin hole locations on the elite back shell (1).
 4. Install/secure the mounting bracket using the mounting pins/flange nuts provided with the back shell (2).
(Note: please refer to your Matrx Elite User Manual for instructions on setting the proper mounting pin depth).
- i IMPORTANT!** Once the pin depth has been properly adjusted, ensure the flange nuts are fully tightened against the mounting bracket.
5. Repeat steps 3 and 4 for the opposite side of the back shell.



- 6 Install the support clips (included separately with your support harness) onto the extension bracket using the 12mm button head screws provided.



1.0 CHEST HARNESS INTERFACE for the **Matrix Elite Back (CHIEB)**

- 7 Make any final adjustments to the extension bracket position (height/angle) and fully tighten hardware.
- 8 Verify that all remaining mounting/installation hardware is secured.
- 9 With the Chest Harness Interface Assembly fully installed, please refer to your **OEM Support Harness User Manual** (*provided separately*) for important safety information and instructions regarding the proper set-up and installation of your support harness.

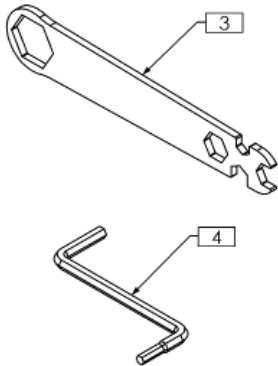
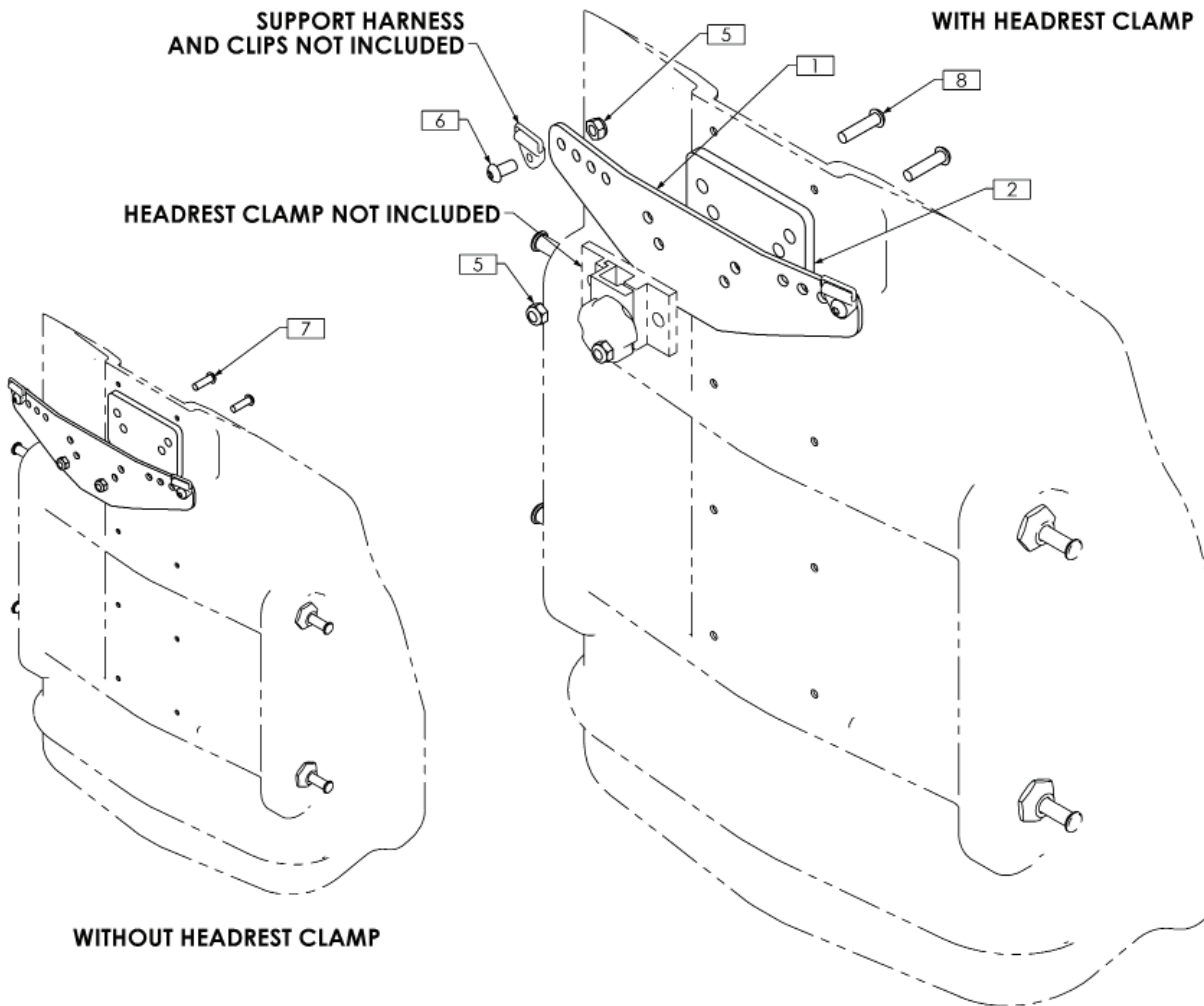
If you have any questions or concerns during the installation of the Chest Harness Interface Bracket Assembly please contact our Technical Service Department for assistance:

Canada: 800-680-4191

USA: 888-433-6818


2.0 CHEST HARNESS INTERFACE for the **Matrx PB Back (CHIPB)**

2.1 Installation Overview (Matrx PB Backs):




ITEM NO.	QTY.	PART NO.	DESCRIPTION
1	1	TRX7257	SUPPORT HARNESS MOUNTING BRACKET
2	1	TRX7586	SHIM
3	1	TRX6546	MULTI-WRENCH, UNIVERSAL
4	1	TRX6809	MULTI-METRIC HEX KEY, 4mm/5mm
5	4	TRH0258	M6 NYLOC NUT, BZ
6	2	TRH0700	M6-1.0 x 12mm BUTTON SOCKET CAP, ALLOY STEEL, BZ
7	2	TRH0757	M6-1.0 x 20mm BUTTON SOCKET CAP, ALLOY STEEL, BZ
8	2	TRH0774	M6-1.0 x 25mm BUTTON SOCKET CAP, ALLOY STEEL, BZ

2.0 CHEST HARNESS INTERFACE for the Matrix PB Back (CHIPB)


 Please read through the following installation instructions **before** proceeding with the Chest Harness Interface Bracket installation

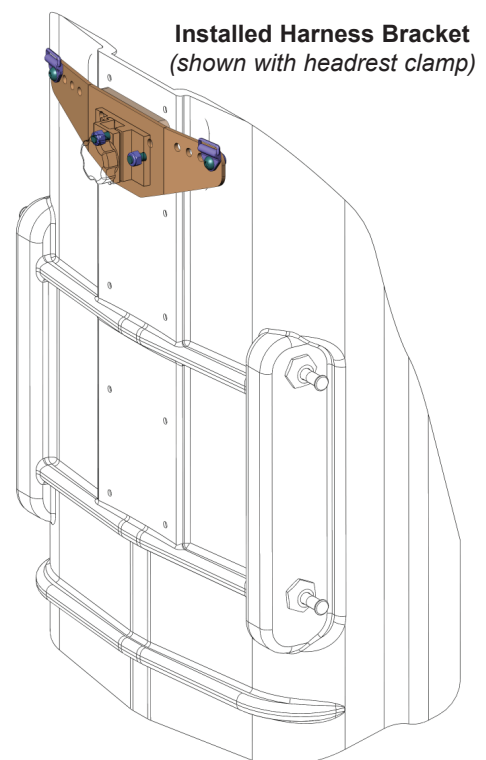
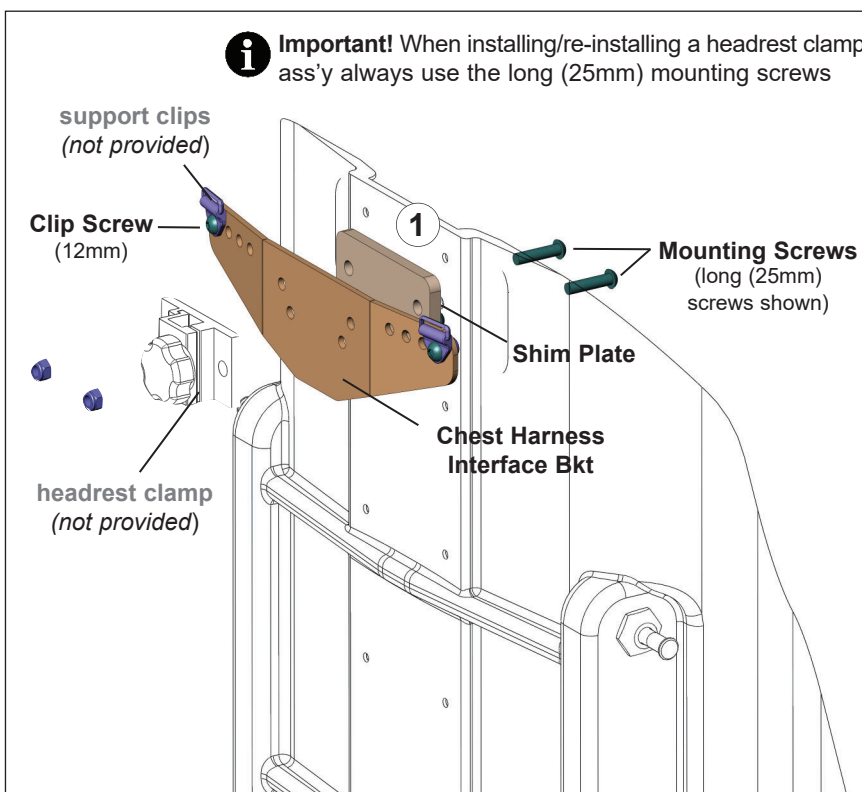
2.2 Chest Harness Interface Bracket Installation Instructions (CHIPB):

1. Unzip the outer cover along the top of the Matrix PB back, and peel/pull back the cover and foam to access the pre-drilled mounting holes in the back shell (*foam and outer cover not shown*). (**Note:** If applicable, remove existing headrest mounting plate and hardware from the back shell).
2. Align the shim plate and harness support bracket with the pre-drilled headrest mounting holes on the back shell as indicated below (1).
3. Using the hardware provided, install the mounting screws* from the inside of the back shell so that they protrude through the shim plate and harness support bracket.
*(*Note: a set of long (25mm) and short (20mm) mounting screws is provided in each hardware kit. The short screws allow the support harness bracket/shim to be installed directly onto the back shell; the long screws are intended for use when a headrest clamp (not provided) is installed- please see **WARNING!** below)*

 **WARNING!** When installing or re-installing a Headrest Clamp/Assembly onto a Matrix PB-Back, **always** ensure the long (25mm) mounting screws (*provided*) are used. **Always** ensure there is sufficient screw thread available to fully secure the nyloc nuts. Failure to ensure the headrest clamp and harness support bracket are properly installed may result in serious personal injury.

4. Secure the Chest Harness Interface Bracket (*and headrest clamp, if applicable*) onto the back shell using the appropriate hardware provided.
5. Install support clips* (*included separately with the support harness*) using the 12mm clip screws provided.

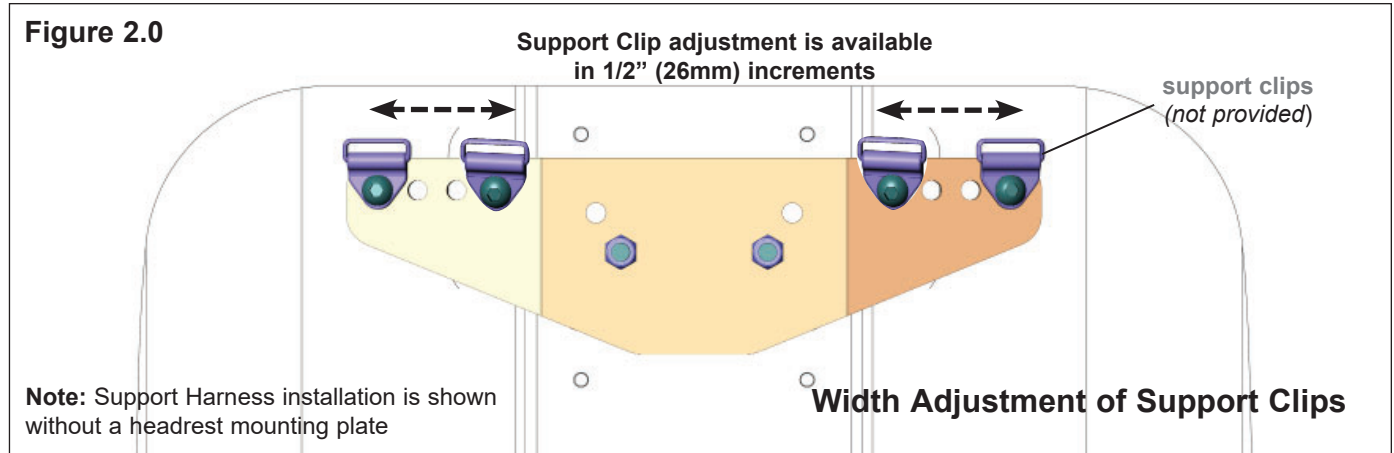
 ***NOTE:** Support clips may be installed in 1 of 4 positions (widths) along the harness mounting bracket (refer to Figure 2.0). Prior to installing the support clips, please refer to your **OEM Support Harness User Manual** (provided separately) for important safety information and instructions regarding proper harness set-up.



(Note: foam and outer cover not shown)

2.0 CHEST HARNESS INTERFACE for the **Matrx PB Back (CHIPB)**

2.2 Chest Harness Interface Bracket Installation Instructions (CHIPB): ...cont'd:



- 6 Verify that all mounting/installation hardware is fully secured.
- 7 Re-align the foam and cover along the top of the Matrx PB back shell and close up the zipper.
- 8 With the Chest Harness Interface Bracket Assembly fully installed, please refer to your **OEM Support Harness User Manual** (*provided separately*) for important safety information and instructions regarding the proper set-up and installation of your support harness.

If you have any questions or concerns during the installation of the Chest Harness Interface Bracket Assembly please contact our Technical Service Department for assistance:

Canada: 800-680-4191

USA: 888-433-6818

NOTES:



IMPORTER:

France:

Invacare France Operations SAS
Route de St Roch
F-37230 Fondettes
Tel: (33) (0)2 47 62 64 66
contactfr@invacare.com; www.invacare.fr

United Kingdom:

Invacare Limited
Pencoed Technology Park,
Pencoed Bridgend CF35 5AQ
Tel: (44) (0) 1656 776 200
uk@invacare.com; www.invacare.co.uk

Schweiz / Suisse / Svizzera:

Invacare International GmbH
Neuhofweg 51,
CH-4147 Aesch BL
Tel: (41) (0)61 487 70 80
switzerland@invacare.com; www.invacare.ch



DISTRIBUTOR:

Belgium & Luxemburg:

Invacare nv
Autobaan 22
B-8210 Loppem
Tel: (32) (0)50 83 10 10
marketingbelgium@invacare.com
www.invacare.be

Italia:

Invacare Mecc San s.r.l.,
Via Marco Corner, 19,
I-36016 Thiene (VI)
Tel: (39) 0445 38 00 59
italia@invacare.com; www.invacare.it

Schweiz / Suisse / Svizzera:

Invacare AG
Neuhofweg 51,
CH-4147 Aesch BL
Tel: (41) (0)61 487 70 80
switzerland@invacare.com; www.invacare.ch

Danmark:

Invacare A/S
Sdr. Ringvej 37
DK-2605 Brøndby
Tel: (45) (0)36 90 00 00
denmark@invacare.com; www.invacare.dk

Nederland:

Invacare BV
Galvanistraat 14-3
NL-6716 AE Ede
Tel: (31) (0)318 695 757
nederland@invacare.com; www.invacare.nl

Sverige:

Invacare AB
Fagerstagatan 9
S-163 53 Spånga
Tel: (46) (0)8 761 70 90
sweden@invacare.com; www.invacare.se

Deutschland:

Invacare GmbH
Am Achener Hof 8
D-88316 Isny
Tel: (49) (0)7562 700 0
kontakt@invacare.com; www.invacare.de

Norge:

Besøksadresse: (Office addresses)
Invacare AS
Brynsveien 16
0667 Oslo
Tel: (47) 22 57 95 00
teknisk@invacare.com; www.invacare.no

Suomi:

Camp Mobility
Patamäenkatu 5, 33900 Tampere
Puhelin 09-35076310
info@campmobility.fi; www.campmobility.fi

España:

Invacare S.A.U.
Avenida del Oeste, 50-50 - 1º-1a
Valencia-46001
Tel: (34) 972 493 214
contactsp@invacare.com; www.invacare.es

Österreich:

Invacare Austria GmbH
Herzog-Odilo-Strasse 101
A-5310 Mondsee
Tel: (43) 6232 5535 0
info-austria@invacare.com; www.invacare.at

United Kingdom & Ireland

Invacare Limited
Pencoed Technology Park, Pencoed
Bridgend CF35 5AQ
Tel: (44) (0) 1656 776 200
uk@invacare.com; www.invacare.co.uk

France:

Invacare Poirier SAS
Route de St Roch
F-37230 Fondettes
Tel: (33) (0)2 47 62 64 66
contactfr@invacare.com; www.invacare.fr

Portugal:

Invacare Portugal II Lda.
Rua Estrada Velha 949
P-4465-784 Leça do Balio
Tel: (351) (0)225 1059 46/47
portugal@invacare.com; www.invacare.pt

USA:

Invacare America
Elyria, Ohio,
USA 44036-2125
Tol Free: (1) 800 333 6900
www.invacare.com

Motion Concepts USA:

700 Ensminger Rd. Suite 112
Tonawanda, NY 14150
Tol Free: (1) 888.433.6818
www.motionconcepts.com



Motion Concepts
505 Cityview Blvd, Unit 1
Vaughan, Ontario, L4H 0L8, Canada
Tol Free: (1) 866.748.7943
Tel: (1) 905.695.0134
www.motionconcepts.com



Invacare International GmbH
Neuhofweg 51, CH-4147 Aesch BL,
Switzerland



Advena Ltd.
Tower Business Center, 2nd Fl.,
Tower Street, Swatar, BKR 4013
Malta

